

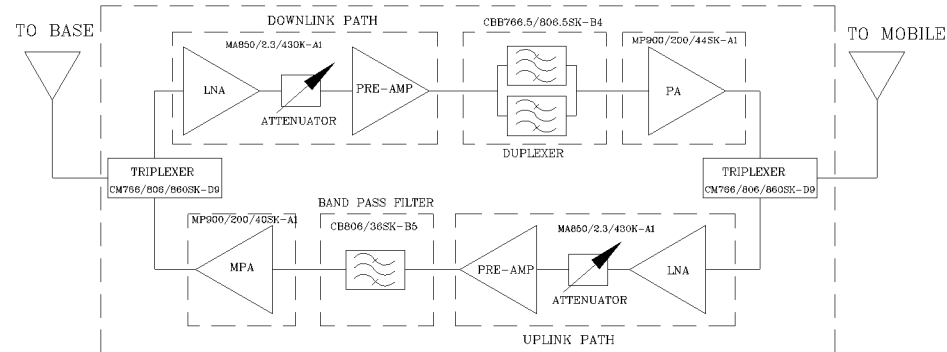
*WITHOUT INCLUSION OF ACSP
OPTION, THIS UNIT MAY NOT
BE POWERED BY A GENERATOR.*

SKU # 11602186

WARNING. This is NOT a CONSUMER device. It is designed for installation by FCC LICENSEES and QUALIFIED INSTALLERS. You MUST have an FCC LICENSE or express consent of an FCC Licensee to operate this device. Unauthorized use may result in significant forfeiture penalties, including penalties in excess of \$100,000 for each continuing violation.

AVAILABLE OPTIONS	Description

REVISIONS			
REV	DESCRIPTION	DATE	APPROVED
A	Linearity and power upgraded (PS8-25/33)	11/12	G. David



Electrical Specifications

- *Down-Link (Base to Mobile) Frequency Range [MHz] : 758 - 775
: 851 - 861
- *Up-Link (Mobile to Base) Frequency Range [MHz] : 788 - 816
- *Attenuation Downlink @ 862 MHz [dBc] : 30 (Typ.)
- *Gain (Minimum attenuation) [dB] : 80 (Min.), 85 (Typ.)
- *Gain Flatness [dB] : +/- 1.5 (Typ.)
- *Noise Figure (System) [dB] : 5.0 (Max.), 4.5 (Typ.)
- *Manual Attenuation Range [dB] : 0 - 30 in 2-dB steps
- *Output Power ALC Set [dBm]
 - Uplink : +27±1
 - Downlink : +27±1
- *Output Composite Power [dBm]
 - Uplink : +27 (Typ.)
 - Downlink : +27 (Typ.)
- *3rd Order Output Intercept Point [dBm]
 - @ 2 tones + 24 dBm each
 - Uplink : +48 (Typ.)
 - Downlink : +48 (Typ.)
- *3rd Order Output Intercept Point [dBm]
 - @ 2 tones + 24 dBm each
 - Downlink : +48 (Typ.)
- *Power Supply : 110V/0.41A to 220V/.21A (Autoranging) 50 to 60 Hz
- *Propagation Delay [uSec] : <0.3
- *Input/ Output Impedance : 50 ohm
- *VSWR IN/OUT : <1.5:1
- *Net Weight : < 16 kg/ 35 lb
- *PAINT: FLAT EPOXY BROWN

NEMA 4 ENCLOSURE OPERATING TEMPERATURE RANGE: -30°C TO +55°C

DIMENSIONS ARE IN INCHES TOLERANCES ARE ANGLE DECIMALS ± 1" .XX ± .05 .XXX ± .001				CONTRACT NO:		G-Wave Solutions	
TREATMENT		APPROVALS		DATE	TITLE 700/800 MHz BDA (LTE)		
FINISH		DRAWN		Sivak	BDA-PS7W/PS8NEPS/N-27/27-80-C		
MATERIAL		CHECKED		ENG.	SIZE	CAGE CODE	DWG NO:
		DESIGN ACTIVITY			A	BDA-PS7W/PS8NEPS/N-27/27-80-C-1	REV. A
				SCALE	None		SHEET 1 OF 1

FCC: Q8KPS7W83790