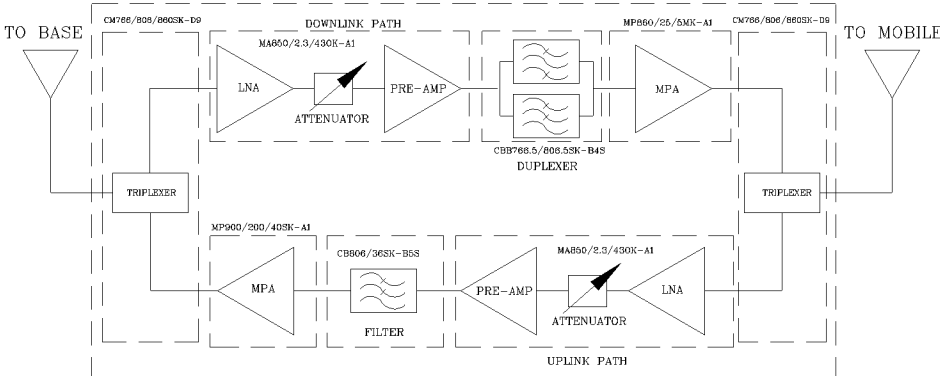


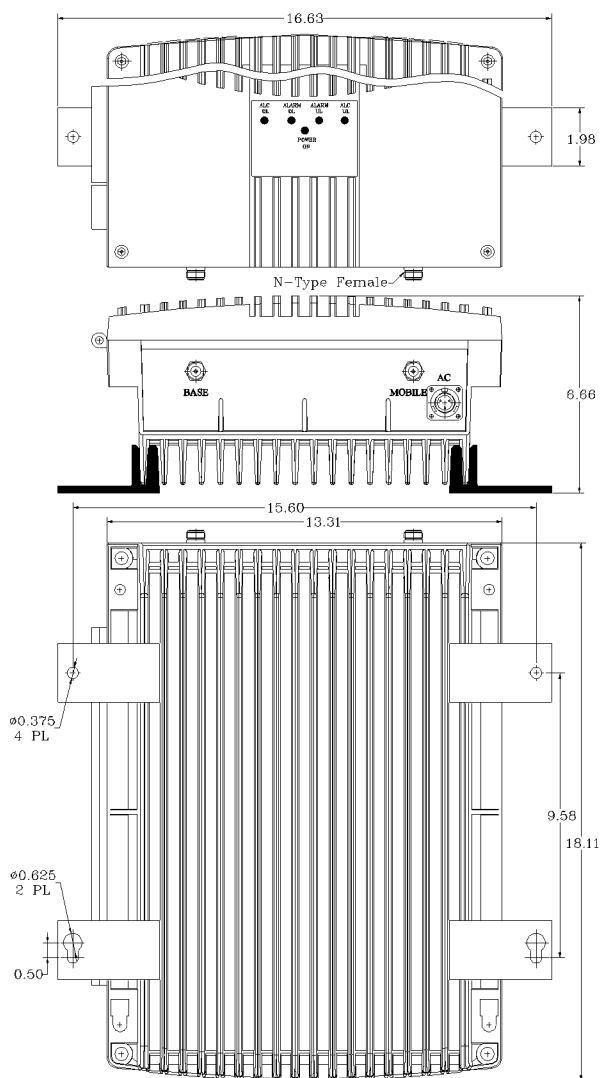
REVISIONS			
REV	DESCRIPTION	DATE	APPROVED
A	Linearity and power upgraded (PS8-25/33)	11/12	G. David

AVAILABLE OPTIONS	Description



## Electrical Specifications

- \*Down-Link (Base to Mobile) Frequency Range [MHz] : 758 - 775
- : 851 - 861
- \*Up-Link (Mobile to Base) Frequency Range [MHz] : 788 - 816
- \*Attenuation Downlink @ 862 MHz [dBc] : 30 (Typ.)
- \*Gain (Minimum attenuation) [dB] : 90 (Min.)
- \*Gain Flatness [dB] : +/- 1.5 (Typ.)
- \*Noise Figure (System) [dB] : 5.0 (Max.), 4.5 (Typ.)
- \*Manual Attenuation Range [dB] : 0 - 30 in 2-dB steps
- \*Output Power ALC Set [dBm]
  - Uplink : +27±1
  - Downlink : +37±1
- \*Output Composite Power [dBm]
  - Uplink : +27 (Typ.)
  - Downlink : +37 (Typ.)
- \*3rd Order Output Intercept Point [dBm]
  - @ 2 tones + 24 dBm each
  - Uplink : +48 (Typ.)
  - Downlink : +58 (Typ.)
- \*3rd Order Output Intercept Point [dBm]
  - @ 2 tones + 34 dBm each
- \*Power Supply : 110V/0.65A to 220V/0.33A (Autoranging) 50 to 60 Hz
- \*Propagation Delay [uSec] : <0.3
- \*Input/Output Impedance : 50 ohm
- \*VSWR IN/OUT : <1.5:1
- \*Net Weight : < 16 kg/35 lb
- \*PAINT: TEXTURED EPOXY BROWN



**WARNING.** This is NOT a CONSUMER device. It is designed for installation by FCC LICENSEES and QUALIFIED INSTALLERS. You MUST have an FCC LICENSE or express consent of an FCC Licensee to operate this device. Unauthorized use may result in significant forfeiture penalties, including penalties in excess of \$100,000 for each continuing violation.

*WITHOUT INCLUSION OF ACSF OPTION, THIS UNIT MAY NOT BE POWERED BY A GENERATOR.*

SKU # 11602359

## NEMA 4 ENCLOSURE

FCC ID: Q8KPS7W83790

OPERATING TEMPERATURE RANGE: -30°C TO +55°C

DIMENSIONS ARE IN INCHES. TOLERANCES ARE:		CONTRACT NO:	G-Wave Solutions	
ANGLES	DECIMALS	APPROVALS	DATE	TITLE 700/800 MHz LMR BDA (LTE)
± 1°	.XX ± .05 .XXX ± .01	DRAWN Sivak	11/15	<b>BDA-PS7W/PS8NEPS/N-27/37-90-C</b>
TREATMENT	CHECKED	ENG.	DESIGN ACTIVITY	SIZE A CAGE CODE
FINISH 63				DWG NO: BDA-PS7W/PS8NEPS/N-27/37-90-C-1
MATERIAL				REV. A
SCALE None			SHEET 1 OF 1	