

WARNING. This is NOT a CONSUMER device. It is designed for installation by FCC LICENSEES and QUALIFIED INSTALLERS. You MUST have an FCC LICENSE or express consent of an FCC Licensee to operate this device. Unauthorized use may result in significant forfeiture penalties, including penalties in excess of \$100,000 for each continuing violation.

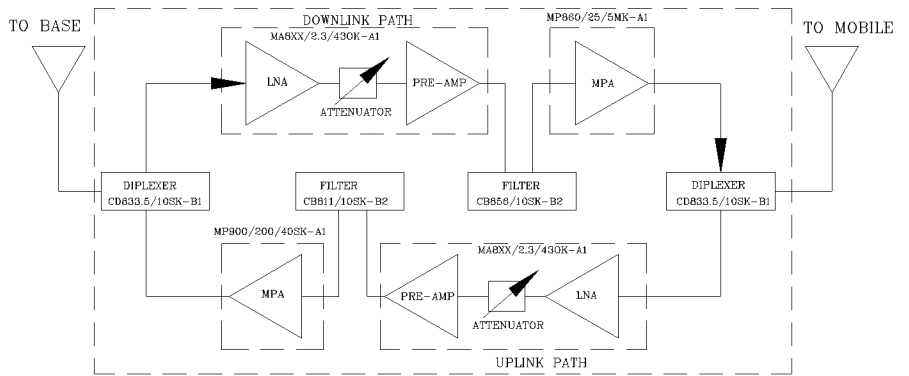
WITHOUT INCLUSION OF ACSP OPTION, THIS UNIT MAY NOT BE POWERED BY A GENERATOR.

SKU # 11602313

AVAILABLE OPTIONS	Description

NEMA 4 ENCLOSURE

REVISIONS			
REV		DATE	APPROVED
A	Part Numbering System Changed	11/12	G. David



Electrical Specifications

- *Down-Link (Base to Mobile) Frequency Range [MHz] : 851 - 861
- *Up-Link (Mobile to Base) Frequency Range [MHz] : 806 - 816
- *Selectivity @ +/- 4 MHz from Passband [dBc] : 40 (Min.)
- *Gain (Minimum attenuation) [dB] : 90 (Min.)
- *Gain Flatness [dB] : +/- 1.5 (Typ.)
- *Noise Figure (System) [dB] : 5.5 (Max.), 5.0 (Typ.)
- *Manual Attenuation Range [dB] : 0 - 30 in 2-dB steps
- *Output Power ALC Set [dBm]
 - Uplink : +25±1
 - Downlink : +37±1
- *Output Composite Power [dBm]
 - Uplink : +25 (Typ.)
 - Downlink : +37 (Typ.)
 - Uplink : +45 (Typ.)
- 53rd Order Output Intercept Point [dBm] @ 2 tones + 22 dBm each
- *3rd Order Output Intercept Point [dBm] @ 2 tones + 34 dBm each
 - Downlink : +58 (Typ.)
- *Power Supply : 110V/0.63A to 220V/32A (Autoranging) 50 to 60 Hz
- *Propagation Delay [uSec] : <0.3
- *Input/Output Impedance : 50 ohm
- *VSWR IN/OUT : <1.5:1
- *Net Weight : < 16 kg/35 lb
- *PAINT: FLAT EPOXY BROWN

OPERATING TEMPERATURE RANGE: -30°C TO +55°C

DIMENSIONS ARE IN INCHES. TOLERANCES ARE:		CONTRACT NO:		G-Wave Solutions		
ANGLES ± 1°	DECIMALS .XX ± .01 .XXX ± .003	APPROVALS	DATE			
TREATMENT	FINISH 63 ✓	DRAWN Sivak 11/11		800 MHz LMR BDA		
MATERIAL		CHECKED		BDA-PS8NEPS-25/37-90-C		
		ENG. DESIGN ACTIVITY		SIZE	CAGE CODE	DWG NO:
				A		BDA-PS8NEPS-25/37-90-C-1
				SCALE	None	SHEET 1 OF 1