

AVAILABLE OPTIONS	Description

WARNING. This is NOT a CONSUMER device. It is designed for installation by FCC LICENSEES and QUALIFIED INSTALLERS. You MUST have an FCC LICENSE or express consent of an FCC Licensee to operate this device. Unauthorized use may result in significant forfeiture penalties, including penalties in excess of \$100,000 for each continuing violation.

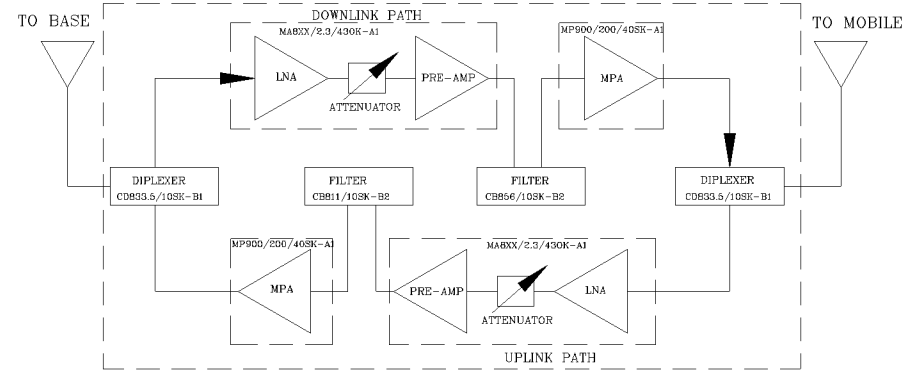
WITHOUT INCLUSION OF ACSP OPTION, THIS UNIT MAY NOT BE POWERED BY A GENERATOR.

SKU # 11602173

NEMA 4 ENCLOSURE

FCC ID Q8KPS8N3790C

REVISIONS			
REV	DESCRIPTION	DATE	APPROVED
A	Linearity and power upgraded (PS8-25/25)	11/12	G. David



Electrical Specifications

- *Down-Link (Base to Mobile) Frequency Range [MHz] : 851 - 861
- *Up-Link (Mobile to Base) Frequency Range [MHz] : 806 - 816
- *Gain (Minimum attenuation) [dB] : 80 (Min.), 85 (Typ.)
- *Gain Flatness [dB] : +/-1.5 (Typ.)
- *Noise Figure (System) [dB] : 5.0 (Max.), 4.5 (Typ.)
- *Manual Attenuation Range [dB] : 0 - 30 in 2-dB steps
- *Output Power ALC Set [dBm] : Uplink : +27±1
Downlink : +27±1
- *Output Composite Power [dBm] : Uplink : +27 (Typ.)
Downlink : +27 (Typ.)
- *3rd Order Output Intercept Point [dBm] @ 2 tones + 24 dBm each : Uplink : +48 (Typ.)
Downlink : +48 (Typ.)
- *3rd Order Output Intercept Point [dBm] @ 2 tones + 24 dBm each : Downlink : +48 (Typ.)
- *Power Supply : 110V/0.41A to 220V/.21A (Autoranging) 50 to 60 Hz
- *Propagation Delay [uSec] : <0.3
- *Input/Output Impedance : 50 ohm
- *VSWR IN/OUT : <1.5:1
- *Net Weight : < 16 kg/35 lb
- *PAINT: FLAT EPOXY BROWN

OPERATING TEMPERATURE RANGE: -30°C TO +55°C

DIMENSIONS ARE IN INCHES TOLERANCES ARE:		CONTRACT NO:		G-Wave Solutions			
ANGLES	DECIMALS	APPROVALS	DATE	TITLE			
± 1°	.XX ± .05 .XXX ± .01			800 MHz LMR BDA			
TREATMENT		DRAWN Sivak	11/11	BDA-PS8NEPS-27/27-80-C			
FINISH	63 ✓	CHECKED		SIZE	CAGE CODE	DWG NO:	REV.
MATERIAL		DESIGN ACTIVITY		A		BDA-PS8NEPS-27/27-80-C-1	A
				SCALE	None		SHEET 1 OF 1