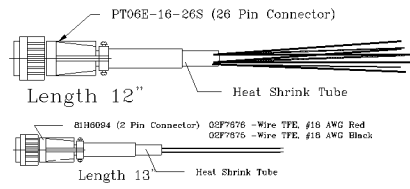


WARNING. This is NOT a CONSUMER device. It is designed for installation by FCC LICENSEES and QUALIFIED INSTALLERS. You MUST have an FCC LICENSE or express consent of an FCC Licensee to operate this device. Unauthorized use may result in significant forfeiture penalties, including penalties in excess of \$100,000 for each continuing violation.



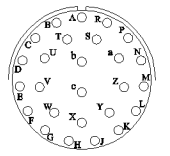
WITHOUT INCLUSION OF ACSP OPTION, THIS UNIT MAY NOT BE POWERED BY A GENERATOR.

SKU # 11601984

DC Current Draw @ +24VDC: 2.39A

| AVAILABLE OPTIONS | Description |
|-------------------|---|
| S1 | External +24 to +26.5 VDC Back Up |
| D | Cannon Type AC Connector (No AC/DC Protections) |
| RED | RED Enclosure |
| O26 | Standard NFPA Local Alarming via 26-Pin Connector and Pigtail |

PIN OUT NFPA O26

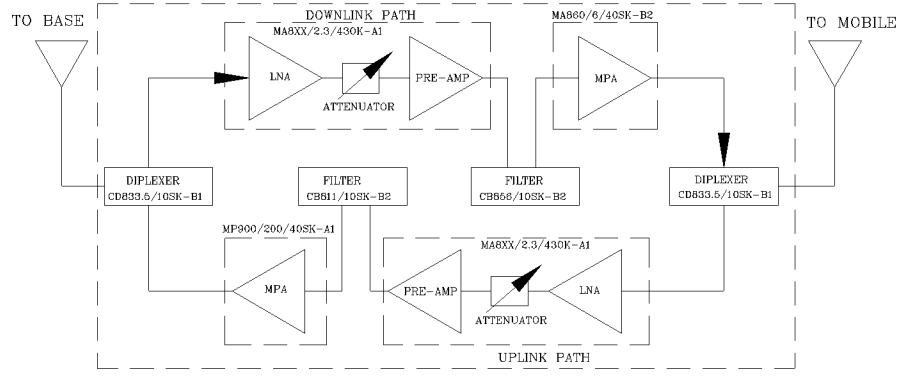


| PIN # | DESCRIPTION |
|-------|---------------------------|
| A | 1-NO DL/UL Current Alarm |
| B | 1-COM DL/UL Current Alarm |
| C | 1-NC DL/UL Current Alarm |
| D | 2-NO Donor Antenna Alarm |
| E | 2-COM Donor Antenna Alarm |
| F | 2-NC Donor Antenna Alarm |
| G | 3-NO DC Backup Alarm |
| H | 3-COM DC Backup Alarm |
| J | 3-NC DC Backup Alarm |
| K | |
| L | |
| M | |
| N | GND |
| P | GND |
| R | +12 VDC 200mA |
| S | +12 VDC 200mA (STNB) |

NEMA4 ENCLOSURE

FCC ID Q8KPS8N3790C

| REVISIONS | | | |
|-----------|--|-------|----------|
| REV | DESCRIPTION | DATE | APPROVED |
| A | Linearity and power upgraded (PS8-25/33) | 11/12 | G. David |



Electrical Specifications

- *Down-Link (Base to Mobile) Frequency Range [MHz] : 851 - 861
- *Up-Link (Mobile to Base) Frequency Range [MHz] : 806 - 816
- *Selectivity @ +/- 4 MHz from Passband [dBc] : 40 (Min.)
- *Gain (Minimum attenuation) [dB] : 90 (Min.)
- *Gain Flatness [dB] : +/- 1.5 (Typ.)
- *Noise Figure (System) [dB] : 5.5 (Max.), 5.0 (Typ.)
- *Manual Attenuation Range [dB] : 0 - 30 in 2-dB steps
- *Output Power ALC Set [dBm]
 - Uplink : +27±1
 - Downlink : +37±1
- *Output Composite Power [dBm]
 - Uplink : +27 (Typ.)
 - Downlink : +37 (Typ.)
 - Uplink : +48 (Typ.)
 - Downlink : +58 (Typ.)
- *3rd Order Output Intercept Point [dBm] @ 2 tones + 24 dBm each
- *3rd Order Output Intercept Point [dBm] @ 2 tones + 34 dBm each
- *Power Supply : 110V/0.65A to 220V/.33A (Autoranging) 50 to 60 Hz
- *Propagation Delay [uSec] : <0.3
- *Input/Output Impedance : 50 ohm
- *VSWR IN/OUT : <1.5:1
- *Net Weight : < 16 kg/35 lb
- *PAINT: FLAT EPOXY BROWN

OPERATING TEMPERATURE RANGE: -30°C TO +55°C

| DIMENSIONS ARE IN INCHES. TOLERANCES ARE | | CONTRACT NO: | | G-Wave Solutions | |
|--|--------------------------------------|-----------------|-------|-------------------------------|--------------------------|
| ANGLES | DECIMALS | APPROVALS | DATE | TITLE NFPA 800 MHz LMR BDA | |
| ± 1" | .XX ± .05 .XX ± .01 XXX ± .003 | DRAWN Sivak | 09/16 | BDA-PS8NEPS-27/37-90-C | |
| TREATMENT | CHECKED | ENG. | | SIZE | CAGE CODE DWG NO: |
| FINISH | 63 | DESIGN ACTIVITY | | A | BDA-PS8NEPS-27/37-90-C-1 |
| MATERIAL | | | | SCALE None | SHEET 1 OF 1 |