

AVAILABLE OPTIONS	Description

WITHOUT INCLUSION OF ACSP OPTION, THIS UNIT MAY NOT BE POWERED BY A GENERATOR.

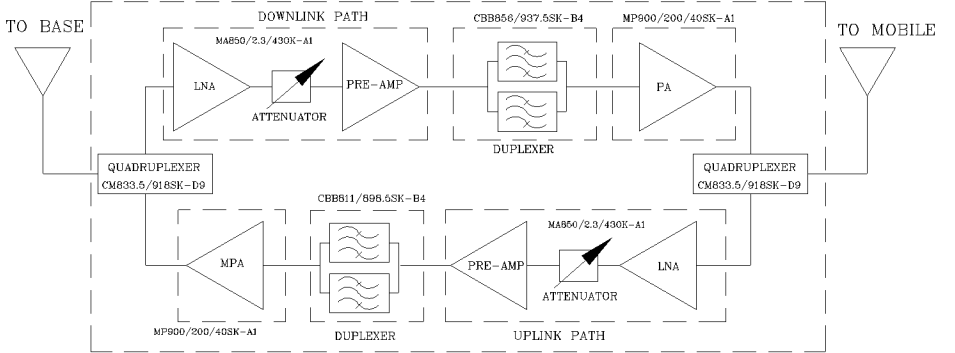
SKU # 11602219

WARNING. This is NOT a CONSUMER device. It is designed for installation by FCC LICENSEES and QUALIFIED INSTALLERS. You MUST have an FCC LICENSE or express consent of an FCC Licensee to operate this device. Unauthorized use may result in significant forfeiture penalties, including penalties in excess of \$100,000 for each continuing violation.

NEMA 4 ENCLOSURE

FCC ID Q8KESMR2W80AN89R

REVISIONS			
REV	DESCRIPTION	DATE	APPROVED
A	Linearity and power upgraded (PS8-25/33)	11/12	G. David



Electrical Specifications

- *Down-Link (Base to Mobile) Frequency Range [MHz] : 851 - 861 / 935 - 940
- *Up-Link (Mobile to Base) Frequency Range [MHz] : 806 - 816 / 896 - 901
- *Attenuation @ Passband ± 2 MHz [dBc] : 35 (Typ.)
- *Attenuation PS800 Downlink @ 862 MHz [dBc] : 30 (Typ.)
- *Gain (Minimum attenuation) [dB] : 80 (Min.), 85 (Typ.)
- *Gain Flatness [dB] : +/- 1.5 (Typ.)
- *Noise Figure (System) [dB] : 5.0 (Max.), 4.5 (Typ.)
- *Manual Attenuation Range [dB] : 0 - 30 in 2-dB steps
- *Output Power ALC Set [dBm]
 - Uplink : +25±1
 - Downlink : +30±1
- *Output Composite Power [dBm]
 - Uplink : +25 (Typ.)
 - Downlink : +30 (Typ.)
 - Uplink : +45 (Typ.)
- *3rd Order Output Intercept Point [dBm] @ 2 tones + 22 dBm each
- *3rd Order Output Intercept Point [dBm] @ 2 tones + 27 dBm each
 - Downlink : +50 (Typ.)
- *Power Supply : 110V/0.45A to 220V/22A (Autoranging) 50 to 60 Hz
- *Propagation Delay [uSec] : <0.3
- *Input/Output Impedance : 50 ohm
- *VSWR IN/OUT : <1.5:1
- *Net Weight : < 18 kg/40 lb
- *PAINT: FLAT EPOXY BROWN

OPERATING TEMPERATURE RANGE: -30°C TO +55°C

DIMENSIONS ARE IN INCHES. TOLERANCES ARE:		CONTRACT NO:			
ANGLES ± 1°	DECIMALS X ± .05 XX ± .01 XXX ± .003	APPROVALS	DATE	TITLE	
TREATMENT	FINISH	DRAWN Sivak	06/15	800/900 MHz LMR BDA	
		CHECKED		BDA-PS8NEPS/N/PS9-25/30-80-C	
		ENG.		SIZE	CAGE CODE
		DESIGN ACTIVITY		A	DWG NO:
MATERIAL					BDA-PS8NEPS/N/PS9-25/30-80-C-1
				SCALE	None
					SHEET 1 OF 1

G-Wave Solutions

REV. A