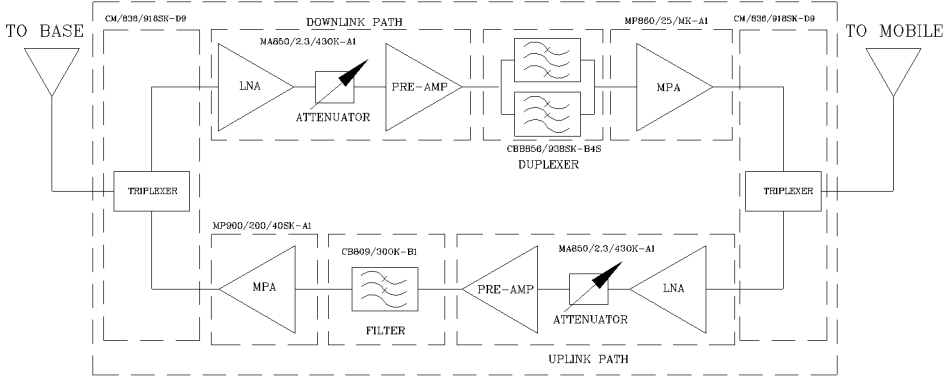
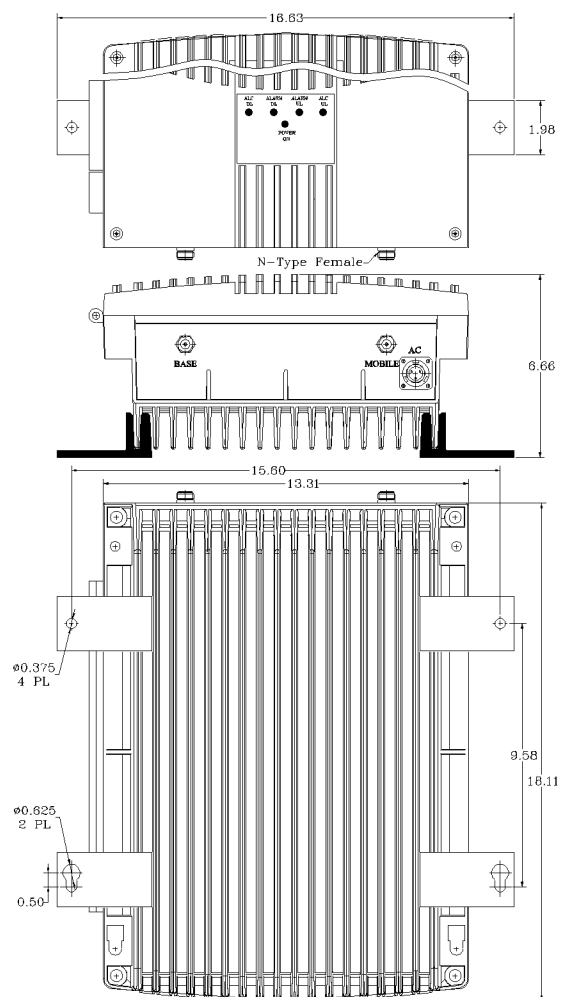


REVISIONS

REV		DATE	APPROVED
A	Linearity and power upgraded (PSB-25/33)	11/12	G. David

AVAILABLE OPTIONS	Description



Electrical Specifications

- *Down-Link (Base to Mobile) Frequency Range [MHz] : 851 - 861
- : 935 - 941
- *Up-Link (Mobile to Base) Frequency Range [MHz] : 806 - 816
- : 896 - 902
- *Gain (Minimum attenuation) [dB] : 90 (Min.)
- *Attenuation Downlink @ 862 to 869 MHz [dBc] : 30 (Typ.)
- *Gain Flatness [dB] : +/- 1.5 (Typ.)
- *Noise Figure (System) [dB] : 5.5 (Max.), 5.0 (Typ.)
- *Manual Attenuation Range [dB] : 0 - 30 in 2-dB steps
- *Output Power ALC Set [dBm]
- Uplink : +27±1
- Downlink : +37±1
- *Output Composite Power [dBm]
- Uplink : +27 (Typ.)
- Downlink : +37 (Typ.)
- Uplink : +48 (Typ.)
- *3rd Order Output Intercept Point [dBm]
- @ 2 tones + 24 dBm each
- Downlink : +58 (Typ.)
- *3rd Order Output Intercept Point [dBm]
- @ 2 tones + 34 dBm each
- *Power Supply : 110V/0.65A to 220V/0.33A (Autorange) 50 to 60 Hz
- *Propagation Delay [uSec] : <math>< 0.3</math>
- *Input/Output Impedance : 50 ohm
- *VSWR IN/OUT : <math>< 1.5:1</math>
- *Net Weight : <math>< 18</math> kg/ 40 lb
- *PAINT: FLAT EPOXY BROWN

WARNING. This is NOT a CONSUMER device. It is designed for installation by FCC LICENSEES and QUALIFIED INSTALLERS. You MUST have an FCC LICENSE or express consent of an FCC Licensee to operate this device. Unauthorized use may result in significant forfeiture penalties, including penalties in excess of \$100,000 for each continuing violation.

WITHOUT INCLUSION OF ACSP OPTION, THIS UNIT MAY NOT BE POWERED BY A GENERATOR.

SKU # 11602363

NEMA 4 ENCLOSURE

FCC ID: Q8KESMR2W80AN89R

OPERATING TEMPERATURE RANGE: -30°C TO +55°C

DIMENSIONS ARE IN INCHES. TOLERANCES ARE: ANGLES DECIMALS ± 1" .XX ± .05 .XX ± .01 .XXX ± .003		CONTRACT NO:		G-Wave Solutions		
TREATMENT	FINISH	APPROVALS	DATE	TITLE	REV.	
	63/	DRAWN Sivak	06/14	800/900 MHz LMR BDA	A	
MATERIAL		CHECKED		BDA-PS8NEPS/N/PS9-27/37-90-C		
		ENG.		SIZE CAGE CODE DWG NO:		
		DESIGN ACTIVITY		A BDA-PS8NEPS/N/PS9-27/37-90-C-1		
				SCALE None SHEET 1 OF 1		