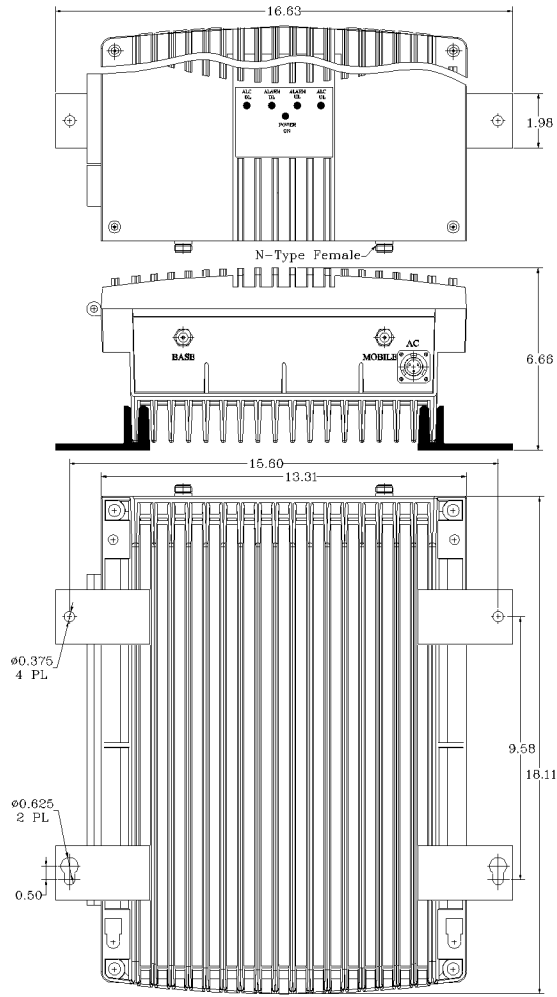


REVISIONS

REV		DATE	APPROVED
A	Linearity and power upgraded (PS8-25/33)	11/12	G. David

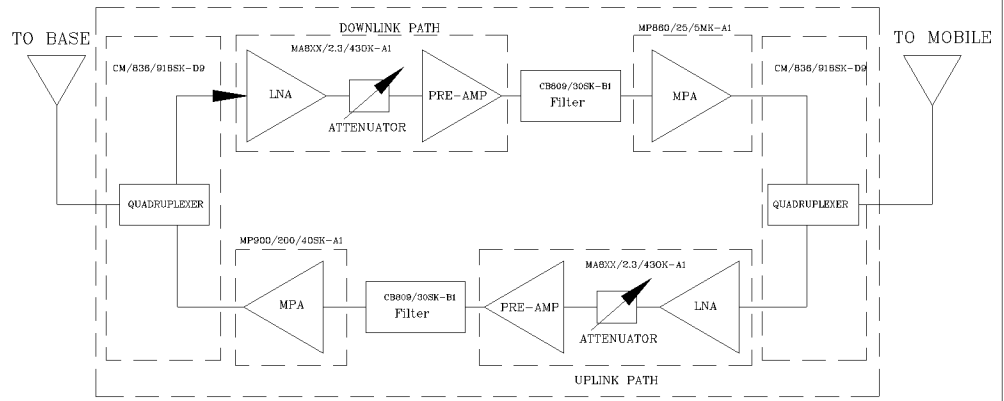
AVAILABLE OPTIONS	Description



WARNING. This is NOT a CONSUMER device. It is designed for installation by FCC LICENSEES and QUALIFIED INSTALLERS. You MUST have an FCC LICENSE or express consent of an FCC Licensee to operate this device. Unauthorized use may result in significant forfeiture penalties, including penalties in excess of \$100,000 for each continuing violation.

WITHOUT INCLUSION OF ACSP OPTION, THIS UNIT MAY NOT BE POWERED BY A GENERATOR.

SKU # 11602362



Electrical Specifications

- *Down-Link (Base to Mobile) Frequency Range [MHz] : 851 - 861
- : 935 - 941
- *Up-Link (Mobile to Base) Frequency Range [MHz] : 806 - 816
- : 896 - 902
- *Gain (Minimum attenuation) [dB] : 90 (Min.)
- *Gain Flatness [dB] : +/- 1.5 (Typ.)
- *Noise Figure (System) [dB] : 5.5 (Max.), 5.0 (Typ.)
- *Manual Attenuation Range [dB] : 0 - 30 in 2-dB steps
- *Output Power ALC Set [dBm]
 - Uplink : +27±1
 - Downlink : +37±1
- *Output Composite Power [dBm]
 - Uplink : +27 (Typ.)
 - Downlink : +37 (Typ.)
 - Uplink : +48 (Typ.)
 - Downlink : +58 (Typ.)
- *3rd Order Output Intercept Point [dBm]
 - @ 2 tones + 24 dBm each
 - @ 2 tones + 34 dBm each
- *Power Supply : 110V/0.65A to 220V/0.33A (Autoranging) 50 to 60 Hz
- *Propagation Delay [uSec] : <0.3
- *Input/Output Impedance : 50 ohm
- *VSWR IN/OUT : <1.5:1
- *Net Weight : < 18 kg/ 40 lb
- *PAINT: FLAT EPOXY BROWN

NEMA 4 ENCLOSURE

OPERATING TEMPERATURE RANGE: -30°C TO +55°C

FCC ID: Q8KESMR2W80AN89R

DIMENSIONS ARE IN INCHES		CONTRACT NO:		G-Wave Solutions					
TOLERANCES ARE:								TITLE	
ANGLES	DECIMALS	APPROVALS	DATE	BDA-PS8NEPS/PS9-27/37-90-C					
± 1°	.XX ± .05 .XXX ± .01	DRAWN Sivak	06/14	CHECKED		SIZE	CAGE CODE	DWG NO:	REV.
FINISH	6.3	DESIGN ACTIVITY		CHECKED		A	BDA-PS8NEPS/PS9-27/37-90-C-1		A
MATERIAL						SCALE None		SHEET 1 OF 1	