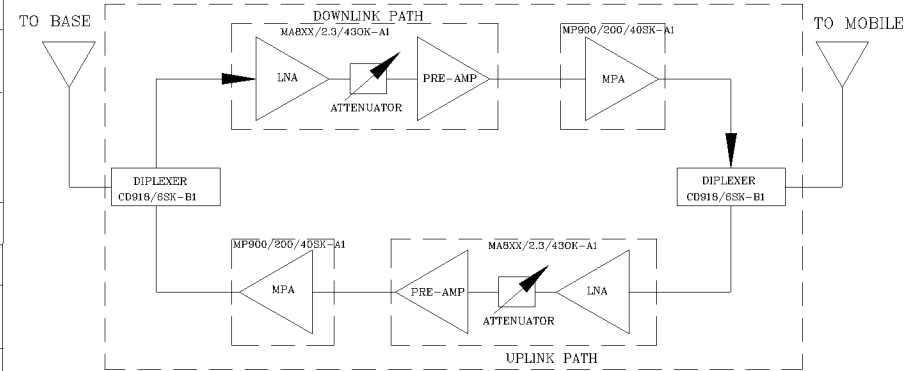
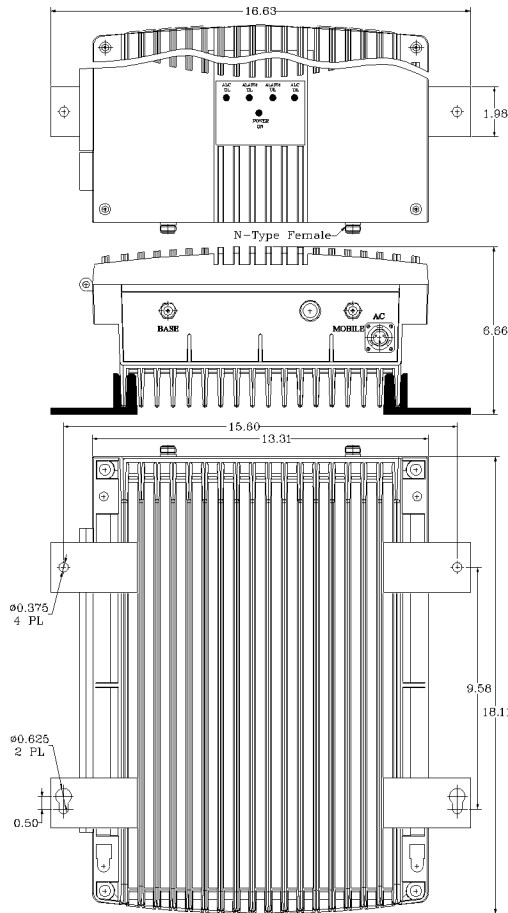


REVISIONS			
REV		DATE	APPROVED
A	Part Numbering System Changed	12/12	G. David

AVAILABLE OPTIONS	Description



*Electrical Specifications
(Standard Unit)*

- *Down-Link (Base to Mobile) Frequency Range [MHz] : 935-941
- *Up-Link (Mobile to Base) Frequency Range [MHz] : 896-902
- *Selectivity @ +/- 4 MHz from Passband [dBc] : 40 (Typ.)
- *Gain (Minimum attenuation) [dB] : 80 (Min.), 85 (Typ.)
- *Gain Flatness [dB] : +/- 1.5 (Max.)
- *Noise Figure [dB] : 5.0 (Max.), 4.5 (Typ.)
- *Manual Attenuation Range [dB] : 0-30 in 2-dB steps
- *Output Power ALC Set [dBm] : Uplink : +25±1
Downlink : +33±1
- *Output Composite Power [dBm] : Uplink : +25 (Typ.)
Downlink : +33 (Typ.)
- *3rd Order Output Intercept Point [dBm] : Uplink : +45 (Typ.)
@ 2 tones + 22 dBm each
- *3rd Order Output Intercept Point [dBm] : Downlink : +52 (Typ.)
@ 2 tones + 30 dBm each
- *Power Supply : 110V/.49A to 220V/.24A
(Autoranging) 50 to 60 Hz
- *Propagation Delay [uSec] : <0.25
- *Input/Output Impedance : 50 ohm
- *VSWR IN/OUT : <1.5:1
- *Net Weight : < 16 kg/35 lb
- *PAINT: FLAT EPOXY BROWN

WARNING. This is NOT a CONSUMER device. It is designed for installation by FCC LICENSEES and QUALIFIED INSTALLERS. You MUST have an FCC LICENSE or express consent of an FCC Licensee to operate this device. Unauthorized use may result in significant forfeiture penalties, including penalties in excess of \$100,000 for each continuing violation.

WITHOUT INCLUSION OF ACSP OPTION, THIS UNIT MAY NOT BE POWERED BY A GENERATOR.

SKU # 12601073

NEMA 4 ENCLOSURE

FCC ID Q8KPS93790C

OPERATING TEMPERATURE RANGE: -20°C TO +50°C		CONTRACT NO:		G-Wave Solutions	
DIMENSIONS ARE IN INCHES; TOLERANCES ARE:		APPROVALS			
ANGLES ± 1°	DECIMALS .XX ± .01	DATE		900 MHz LMR BDA	
	.XXX ± .003	DRAWN Sivak 09/10		BDA-PS9-25/33-80-C	
TREATMENT	CHECKED	ENG.		SIZE	CAGE CODE
FINISH 63/	DESIGN ACTIVITY			A	DWG NO:
MATERIAL					BDA-PS9-25/33-80-C-1
				SCALE None	REV. A
					SHEET 1 OF 1