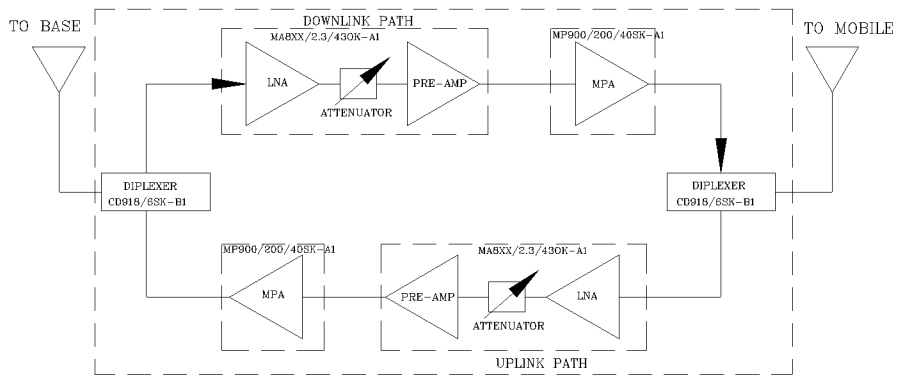


AVAILABLE OPTIONS	Description

REVISIONS			
REV	DESCRIPTION	DATE	APPROVED
A	Part Numbering System Changed	12/12	G. David



*Electrical Specifications*  
(Standard Unit)

- \*Down-Link (Base to Mobile) Frequency Range [MHz] : 935-941
- \*Up-Link (Mobile to Base) Frequency Range [MHz] : 896-902
- \*Selectivity @ +/- 4 MHz from Passband [dBc] : 40 (Typ.)
- \*Gain (Minimum attenuation) [dB] : 80 (Min.), 85 (Typ.)
- \*Gain Flatness [dB] : +/- 1.5 (Max.)
- \*Noise Figure [dB] : 5.0 (Max.), 4.5 (Typ.)
- \*Manual Attenuation Range [dB] : 0-30 in 2-dB steps
- \*Output Power ALC Set [dBm] : Uplink : +27±1  
Downlink : +30±1
- \*Output Composite Power [dBm] : Uplink : +27 (Typ.)  
Downlink : +30 (Typ.)
- \*3rd Order Output Intercept Point [dBm] @ 2 tones + 24 dBm each : Uplink : +48 (Typ.)
- \*3rd Order Output Intercept Point [dBm] @ 2 tones + 27 dBm each : Downlink : +50 (Typ.)
- \*Power Supply : 110V/47A to 220V/23A (Autoranging) 50 to 60 Hz
- \*Propagation Delay [uSec] : <0.25
- \*Input/Output Impedance : 50 ohm
- \*VSWR IN/OUT : <1.5:1
- \*Net Weight : < 16 kg/35 lb
- \*PAINT: FLAT EPOXY BROWN

WITHOUT INCLUSION OF ACSP OPTION, THIS UNIT MAY NOT BE POWERED BY A GENERATOR.

**WARNING.** This is NOT a CONSUMER device. It is designed for installation by FCC LICENSEES and QUALIFIED INSTALLERS. You MUST have an FCC LICENSE or express consent of an FCC Licensee to operate this device. Unauthorized use may result in significant forfeiture penalties, including penalties in excess of \$100,000 for each continuing violation.

SKU # 12501581

NEMA 4 ENCLOSURE

OPERATING TEMPERATURE RANGE: -30°C TO +55°C

DIMENSIONS ARE IN INCHES TOLERANCES ARE		CONTRACT NO:		<b>G-Wave Solutions</b>			
ANGLES	DECIMALS	APPROVALS	DATE				
± 1°	.XX ± .05 .XX ± .01 .XXX ± .003	DRAWN Sivak	09/10	900 MHz LMR BDA		REV.	
TREATMENT	CHECKED	DESIGN ACTIVITY		BDA-PS9-27/30-80-C		A	
FINISH	63	MATERIAL		SIZE	CAGE CODE	DWG NO:	REV.
				A		BDA-PS9-27/30-80-C-1	A
				SCALE	None	SHEET 1 OF 1	

FCC ID Q8KPS93790C