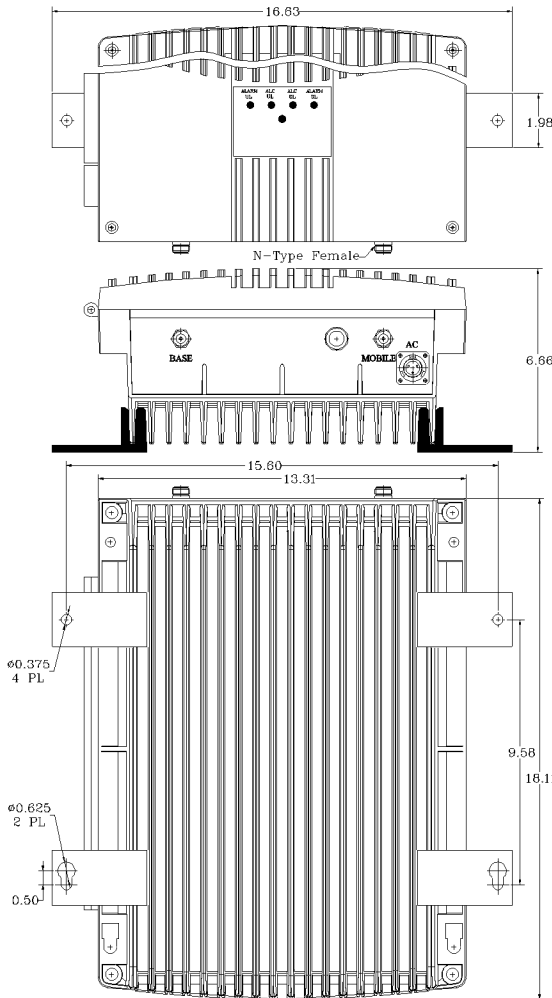


AVAILABLE OPTIONS	Description

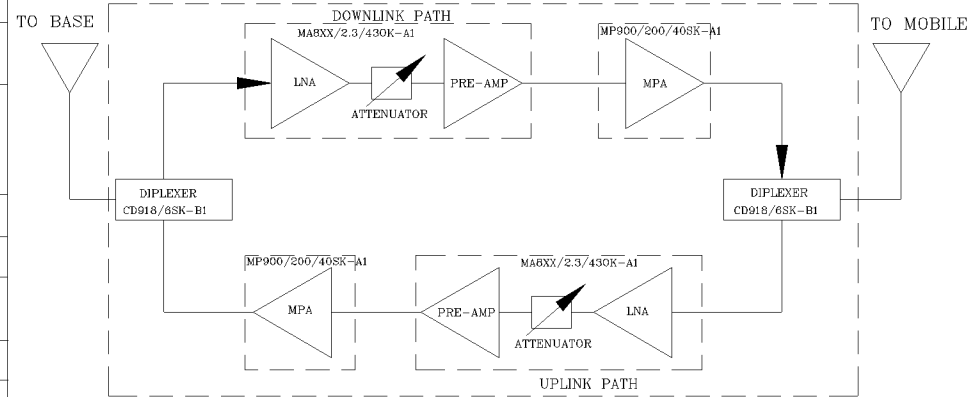
REVISIONS			
REV	DESCRIPTION	DATE	APPROVED
A	Part Numbering System Changed	12/12	G. David



WARNING. This is NOT a CONSUMER device. It is designed for installation by FCC LICENSEES and QUALIFIED INSTALLERS. You MUST have an FCC LICENSE or express consent of an FCC Licensee to operate this device. Unauthorized use may result in significant forfeiture penalties, including penalties in excess of \$100,000 for each continuing violation.

WITHOUT INCLUSION OF ACSP OPTION, THIS UNIT MAY NOT BE POWERED BY A GENERATOR.

SKU # 11601780



Electrical Specifications

- | | |
|---|---|
| *Down-Link (Base to Mobile) Frequency Range [MHz] | : 935-941 |
| *Up-Link (Mobile to Base) Frequency Range [MHz] | : 896-902 |
| *Selectivity @ +/- 4 MHz from Passband [dBc] | : 40 (Typ.) |
| *Gain (Minimum attenuation) [dB] | : 80 (Min.), 85 (Typ.) |
| *Gain Flatness [dB] | : +/- 1.5 (Max.) |
| *Noise Figure [dB] | : 5.0 (Max.), 4.5 (Typ.) |
| *Manual Attenuation Range [dB] | : 0-30 in 2-dB steps |
| *Output Power ALC Set [dBm] | Uplink : +27±1
Downlink : +33±1 |
| *Output Composite Power [dBm] | Uplink : +27 (Typ.)
Downlink : +33 (Typ.) |
| *3rd Order Output Intercept Point [dBm] @ 2 tones + 24 dBm each | Uplink : +48 (Typ.) |
| *3rd Order Output Intercept Point [dBm] @ 2 tones + 30 dBm each | Downlink : +52 (Typ.) |
| *Power Supply | : 110V/0.51A to 220V/2.6A (Autoranging) 50 to 60 Hz |
| *Propagation Delay [uSec] | : <0.25 |
| *Input/Output Impedance | : 50 ohm |
| *VSWR IN/OUT | : <1.5:1 |
| *Net Weight | : < 16 kg/35 lb |
| *PAINT: FLAT EPOXY BROWN | |

OPERATING TEMPERATURE RANGE: -30°C TO +55°C

NEMA 4 ENCLOSURE

DIMENSIONS ARE IN INCHES TOLERANCES ARE:		CONTRACT NO:		TITLE	
ANGLES ± 1°	DECIMALS XX ± .05	APPROVALS	DATE	900 MHz LMR BDA	
	XXX ± .003	DRAWN Sivak	09/10	BDA-PS9-27/33-80-C	
TREATMENT	CHECKED	ENG.		SIZE	CAGE CODE
FINISH ✓	DESIGN ACTIVITY			A	DWG NO:
MATERIAL					BDA-PS9-27/33-80-C-1
				SCALE None	SHEET 1 OF 1

G-Wave Solutions

FCC ID Q8KPS93790C